



VILLA
SISTEMI
MEDICALI

Dental
Line



ROTOGRAPH_d

Digital Panoramic System





Almost 40 years of experience: this is the key advantage Villa Sistemi Medicali is proud to offer to the users of any Rotograph unit. Almost 40 years of research, development, innovation, reliability: all values present on the new Rotograph D, further evolution of a unit chosen by thousands of professionals worldwide and now further improved in its functionality and aesthetics.

The new Rotograph D virtually requires no learning time thanks to the handheld-driven controls and it is tremendously simple to operate during patient positioning thanks to the laser references and the perfect visibility of the key anatomical references. The machine allows also straightforward connection to the computer, yet can perfectly operate even in stand alone modality, simply by using a Compact Flash® card like a common photo camera.

For these reasons, the new Rotograph D represents a perfect choice for any modern practice. It easily carries you into the digital panoramic imaging world with an affordable and rapidly recoverable investment, while its state-of-the-art digital technology makes you free from films, cassettes, chemicals and all related expenses, minimizing the operating costs of the panoramic unit.



Dental
Line

VILLA
SISTEMI
MEDICALI



**Thousands of Rotograph units
installed worldwide: do we deserve
to be part of your practice?**



Simple, immediate, versatile, reliable: an exceptional partner for your day-by-day activity

Simple: like having all commands in the palm of your hand

On the new Rotograph D the main functionalities are accessible through the *ergonomic hand-held*, where settings can be entered even during patient positioning, without need to move from the unit; the keyboard is efficiently *integrated with a display* showing the exposure parameters and the system's status. The hand-held is easily accessible from the *integrated docking station*, where the remote control can be safely stored when not in use.



Immediate: as we value the importance of your time

Everybody is impressed by how intuitive and immediate are operations on the new Rotograph D. The user can rapidly change the height of the patient support to easily accommodate any kind of person, including ones on wheelchairs. *Patient alignment* is quickly reached by using the *dedicated laser references* and *patient's stability* is then granted by the *combined presence of the temporal top headrest* with the joint action of *chin rest* and *bite block*: the concurrent presence of all these devices maintains *the head stable during the rotation*, dramatically limiting any risk of movement, while the patient remains in a firm and secure position.



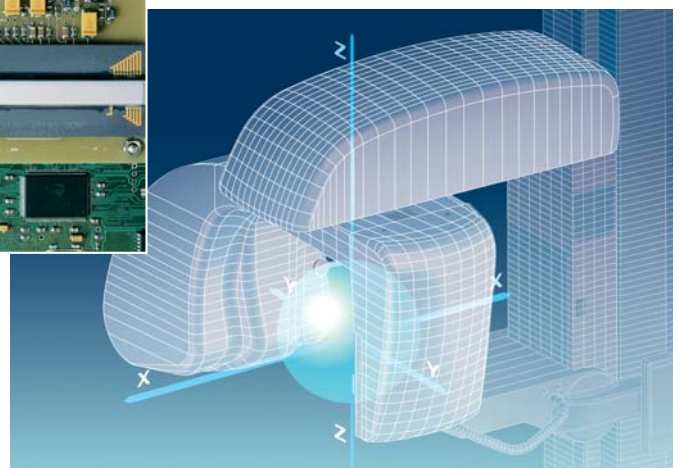
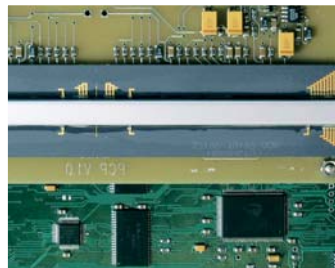
Versatile: so efficient it doesn't need a computer to operate

The new Rotograph D can easily be connected to any computer or laptop thanks to the *USB output*, making its *connection as easy* as the one of a consumer photo camera. Additionally, thanks to the efficient *XSDi (eXtended Storage for Dental images) technology*, the operator can even be in the condition to acquire the images *without a connected computer*, simply using a Compact Flash® memory card inserted on the slot mounted on board. This further *improves the versatility* of the X-ray machine, as it can properly operate even in case of computer breakdown.



Reliable: a long lasting investment

The reliability of the Rotograph products is historically a must and it's witnessed by the thousands of units produced in *more than 30 years of history*. This comes from a very simple factor: the *simplicity of its technical design*. The electronically-controlled combination of X-ray emission and rotating arm movement assures a correct patient exposure, while the *CCD sensor with a CsI (Cesium Iodide) scintillator screen* provides high resolution, sharp and clear images of even the finest details. Designed and manufactured according to the most rigorous *European-Standard production processes*, the new Rotograph D employs consolidated technologies, guaranteeing an excellent price/performance ratio.



Projections



Standard Panoramic



Open-closed mouth lateral TMJ



Child Panoramic

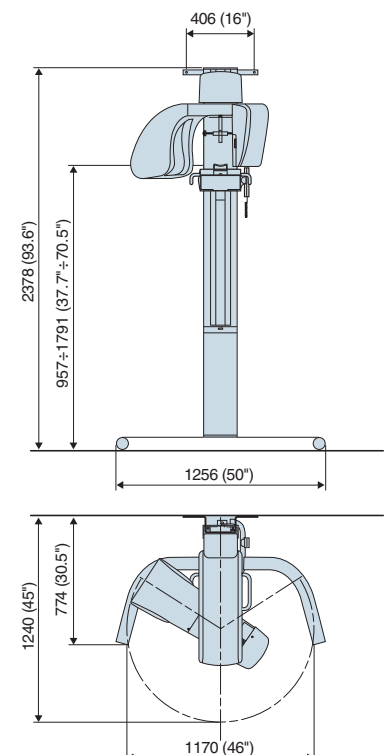


Sinus

Technical Data

High voltage	60-85 kV, in 5 kV steps	
Anode current	10 mA	
Focal spot	0.5 mm (IEC 336)	
Exposure time	Panoramic / Sinus	17 sec adult, 14 sec child
	TMJ open/closed mouth	10.4 sec adult, 9.4 sec child
Power supply voltage	120/220/230/240 Vac (± 10%) single phase, 50/60 Hz	
Absorbed current	5 A @ 230 V / 10 A @ 108 V	
Power rating	1.15 kVA	
Sensor technology	CCD sensor with Cesium Iodide (CsI) scintillator screen	
Image matrix	1536x2805 pixels in binning modality	
CCD sensor resolution	10.4 lp/mm (pixel size 48 µm)	
PC connection	USB 2.0	
Mounting capabilities	Wall mount (standard) or floor mount (with optional floor base)	

Dimensions



Villa Sistemi Medicali long-standing experience at the service of our customers



Competence in x-ray systems

Villa Sistemi Medicali specialists can provide qualified information on new x-ray systems, room structure and installation and equipment positioning.

A wide range of equipment

Villa Sistemi Medicali is among the major European manufacturers of radiological systems and offers a wide range of products, such as:

- Digital radiographic and angiographic systems
- Remote controlled tables
- Classical tilting tables
- General rad floating tables
- Chest stands
- Mobile units
- Surgical C arms
- HF Generators
- Dental units: Intra-oral, panoramic and 3D

Our priority: Technical Service

A wide network of highly skilled service engineers ensures effective and reliable maintenance of all Villa Sistemi Medicali equipment installed worldwide. Preventive maintenance programs and Service Contracts are adapted to the needs of our customers

Logistic services: a widespread presence

Spare parts, accessories and consumables are shipped daily by Villa Sistemi Medicali to all its customers worldwide.

Data subject to change without notice. All the images on the brochure are shown exclusively for demo purposes. All rights reserved - Printed in Italy - 02/11